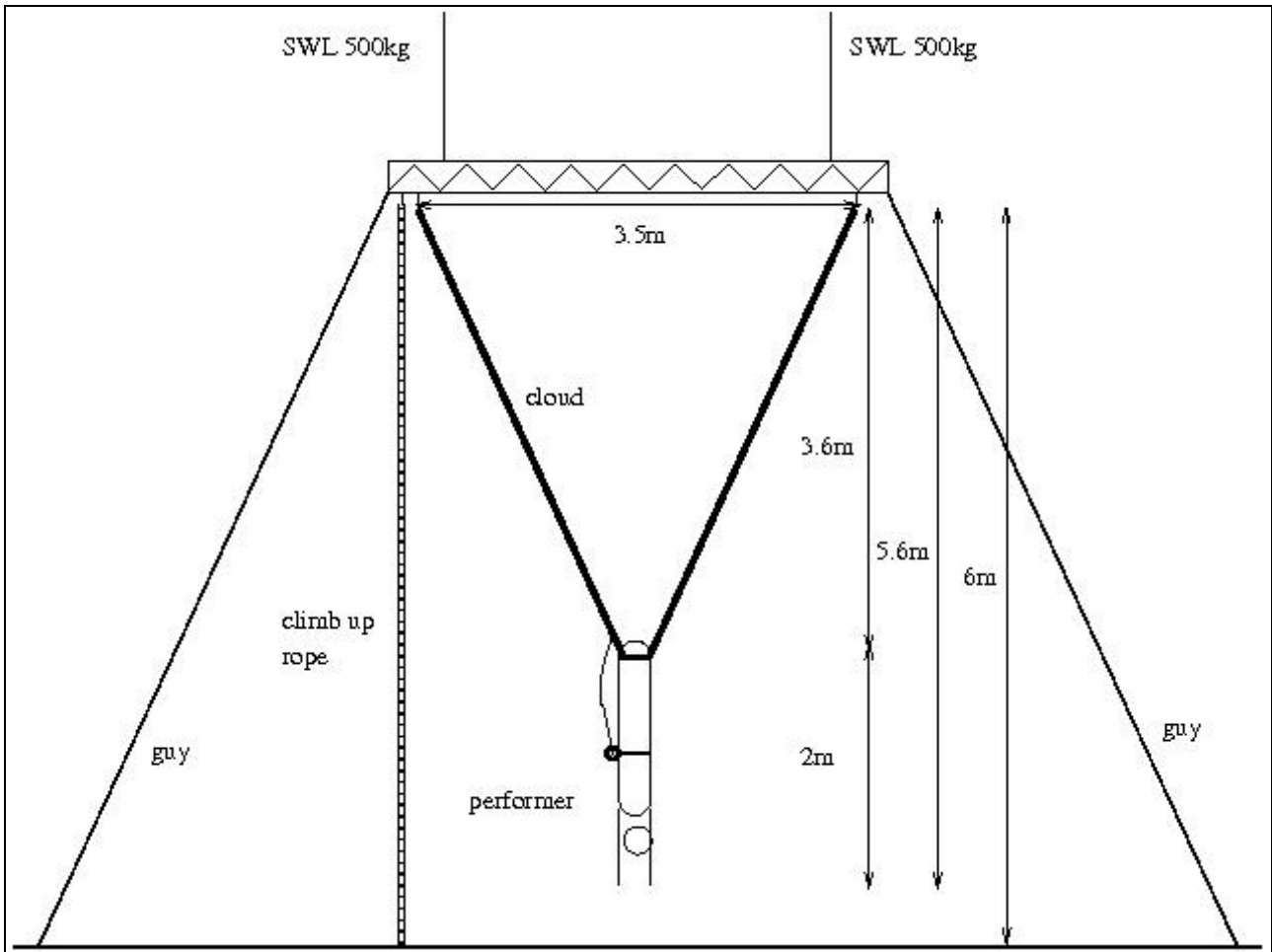
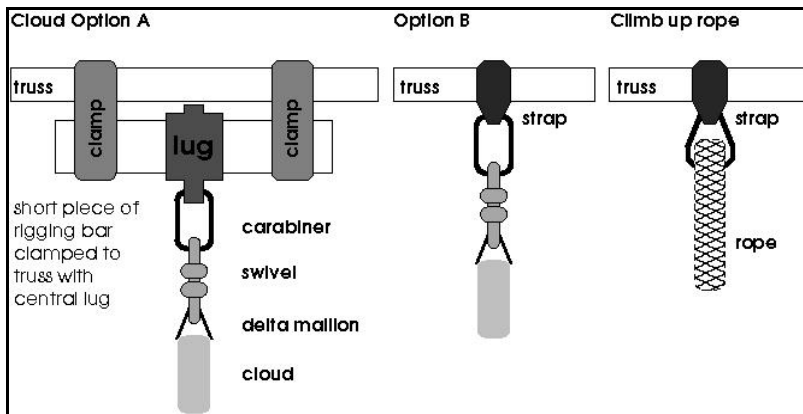


Cloud Swing Rigging Plan: Front view, shows cloud with performer at maximum extension. Performer is attached to the cloud by a lanyard safety system.



Close-up view of equipment attachment points to truss.



Cloud Swing Rigging Plan cont.: Side view showing the trajectory of the swing with performer at maximum extension. The region inside the dotted line should be kept clear.

